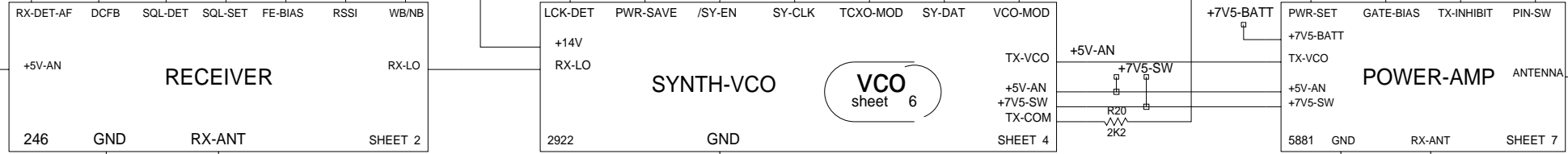


**PROCESSOR**  
252 SHEET 3  
**DSP AUDIO**

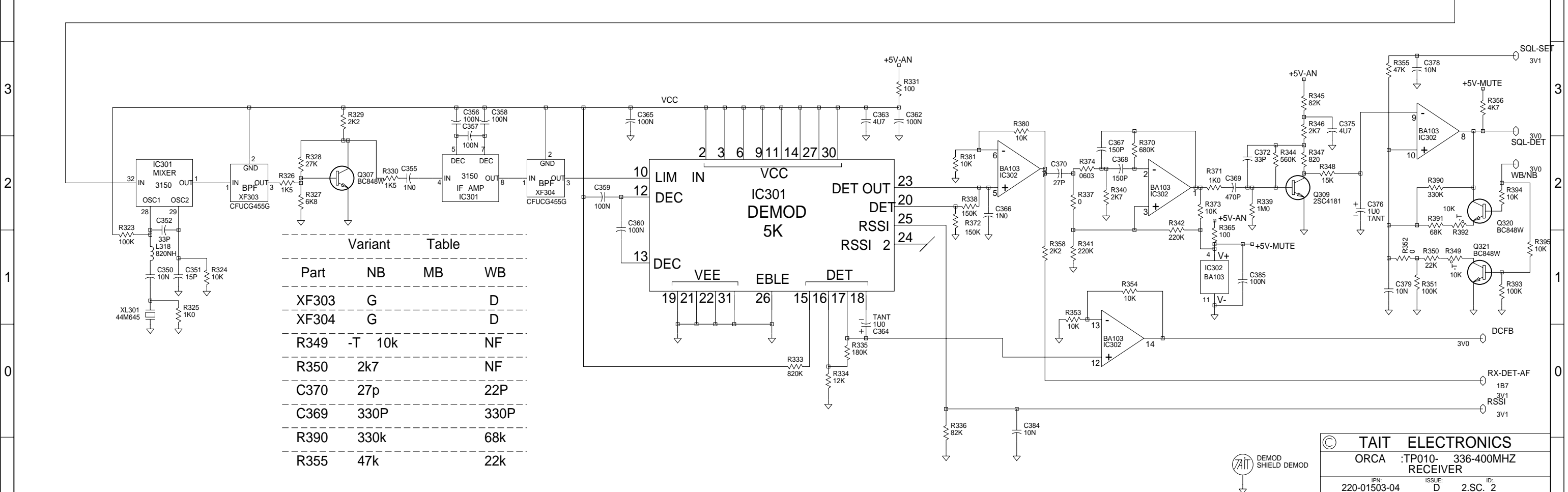
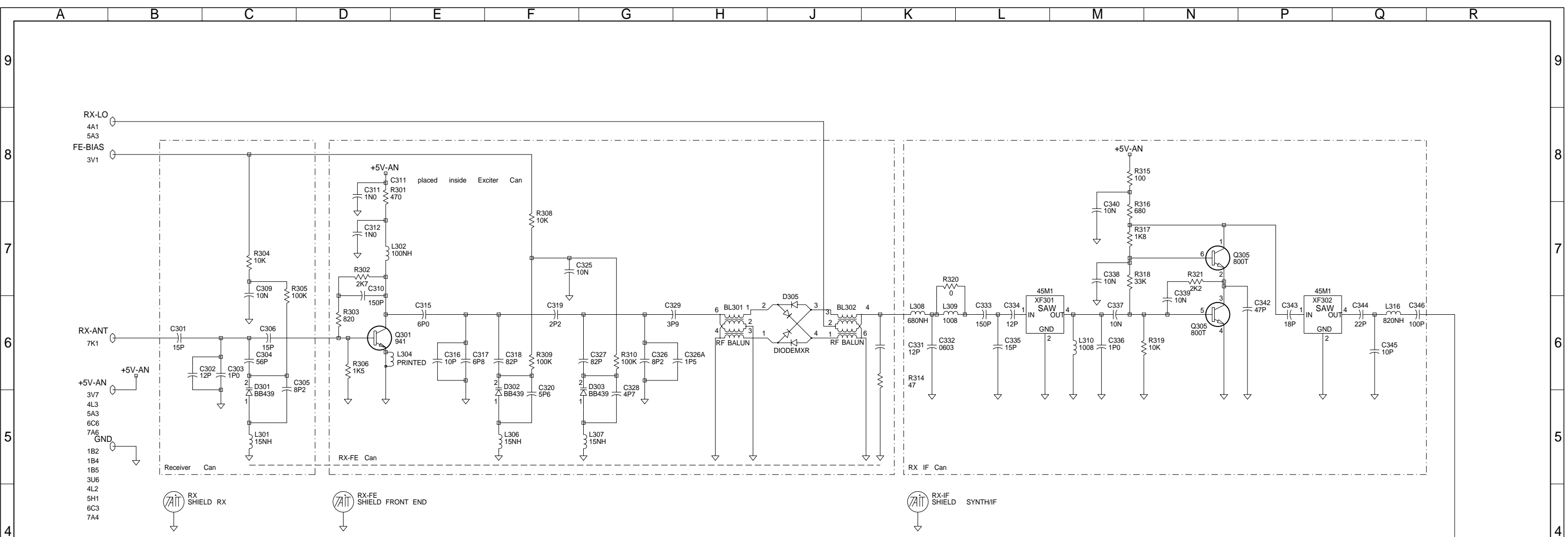


04D	CCO NO 1503-010 DIG CAN ALT:2	BRD			04-02-2K
04C	PINS & SEALS. CCO NO.1503-008	TS			11-11-99
04B	D103 > MA4P1250. ECO NO 50-0411	TS			01-11-99
04A	CHANGES AS PER 1503/001	BRD			20/08/99
03B	ADJUSTED T-CU AS PER PENTEX	BRD			03-06-99
03A	UPDATE ALC AND AFC	BRD			17-05-99
02A	SEE NOTES FILE FOR CHANGES	BRD			10/02/99
08	UPDATED MUTE CIRCUITRY	DBH			
REV/ISS	AMENDMENTS	DRAWN	CHKD	D.O.	APVD DATE

© TAIT ELECTRONICS	
ORCA :TP10- 336-400MHZ	
SYSTEM DIAGRAM	
IPN: 220-01503-04	ISSUE: D
DESIGNER: ORCA	FILE DATE: 7-Feb-00
BRD: 150304d	NO.SHEETS: 7

Sub UHF



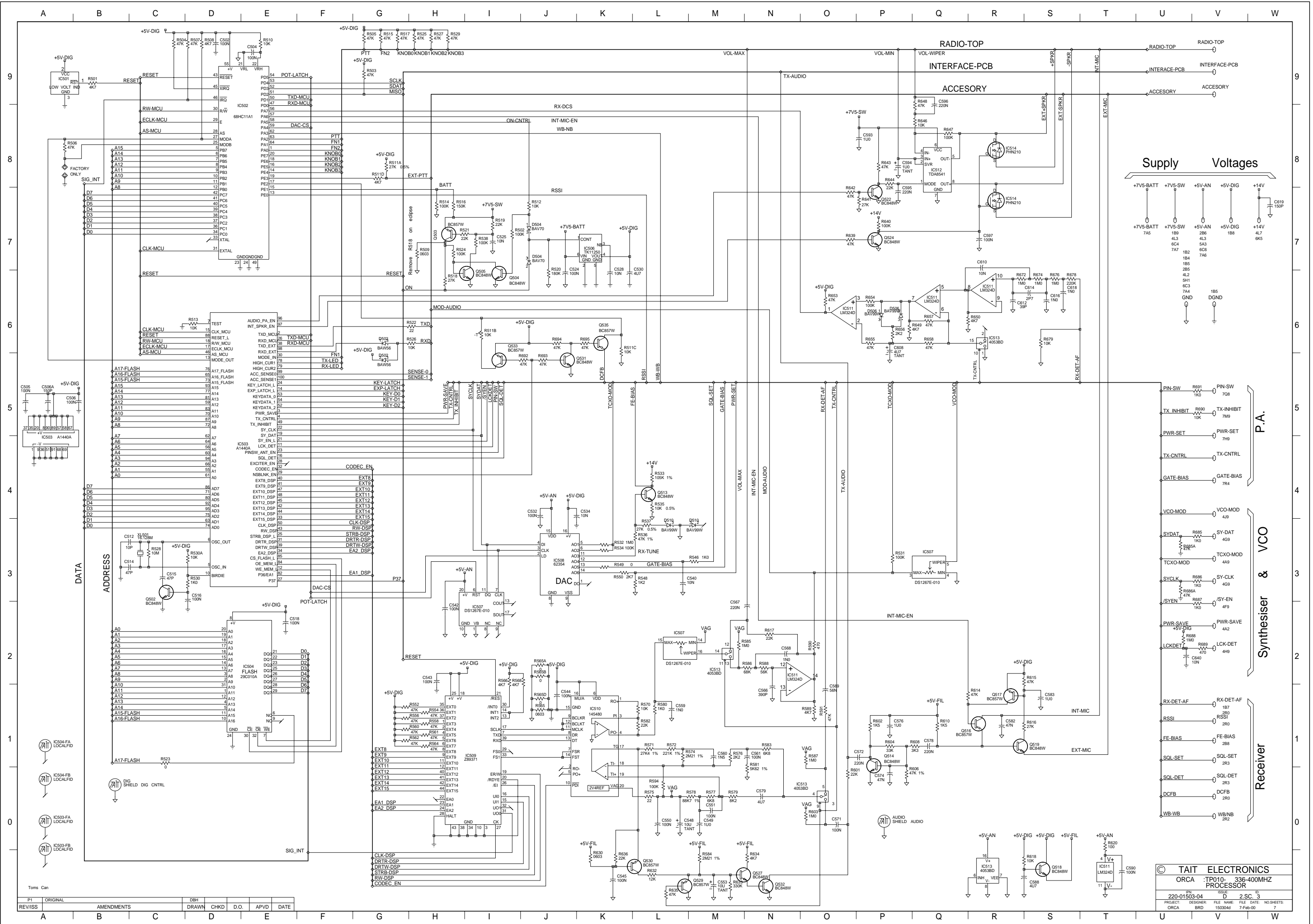


Variant Table

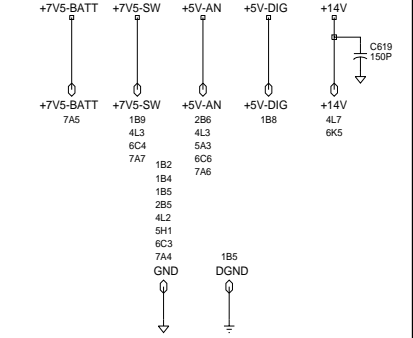
Part	NB	MB	WB
XF303	G		D
XF304	G		D
R349	-T 10k		NF
R350	2k7		NF
C370	27p		22P
C369	330P		330P
R390	330k		68k
R355	47k		22k

© TAIT ELECTRONICS  
 ORCA :TP010- 336-400MHZ RECEIVER  
 IPN: 220-01503-04 ISSUE: D 2.S.C. 2  
 PROJECT: ORCA BRD 150304d FILE NAME: 7-Feb-00 NO.SHEETS: 7

REV/ISS	AMENDMENTS	DRAWN	CHKD	D.O.	APVD	DATE
A						



**Supply Voltages**



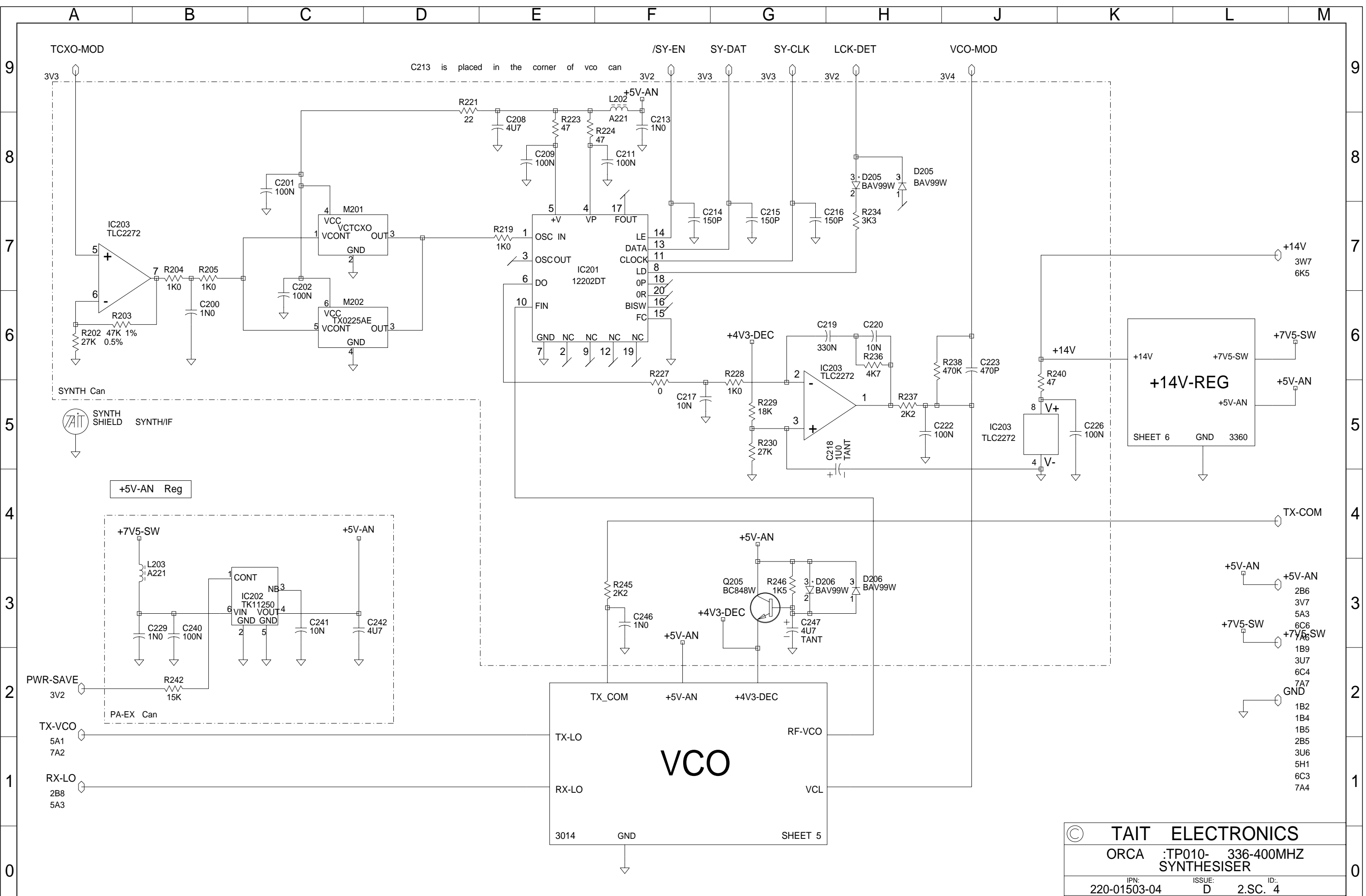
**P.A.**

**Synthesiser & VCO**

**Receiver**

© TAIT ELECTRONICS  
 ORCA :TP010- 336-400MHZ  
 PROCESSOR  
 220-01503-04 D 2-SC-3  
 PRODUCT DESIGNER FILE NAME FILE DATE NO SHEETS  
 ORCA BRD 150304D 7-Feb-00 7

REV/ISS	ORIGINAL	AMENDMENTS	DRAWN	CHKD	D.O.	APVD	DATE
P1							



C213 is placed in the corner of vco can

**VCO**

3014 GND SHEET 5

TX-LO TX-COM +5V-AN +4V3-DEC RF-VCO VCL

**+14V-REG**

SHEET 6 GND 3360

+14V +7V5-SW +5V-AN

+5V-AN Reg

**PA-EX Can**

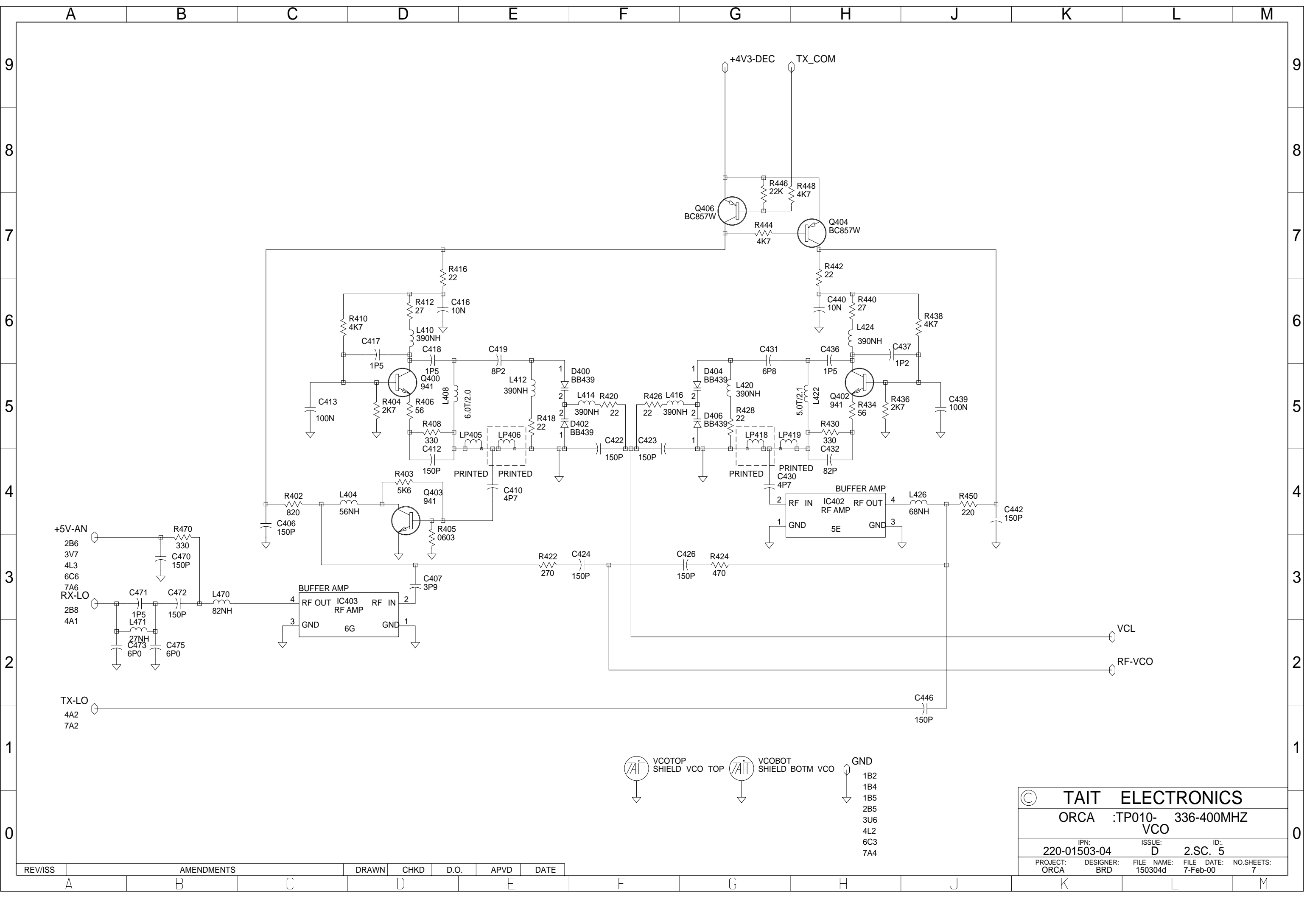
+7V5-SW +5V-AN

L203 A221 C229 1N0 C240 100N IC202 TK11250 GND GND VIN VOUT NB 3 6 2 5 4

R242 15K

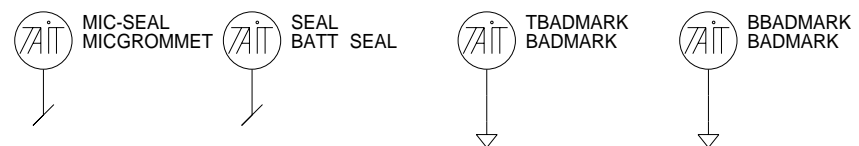
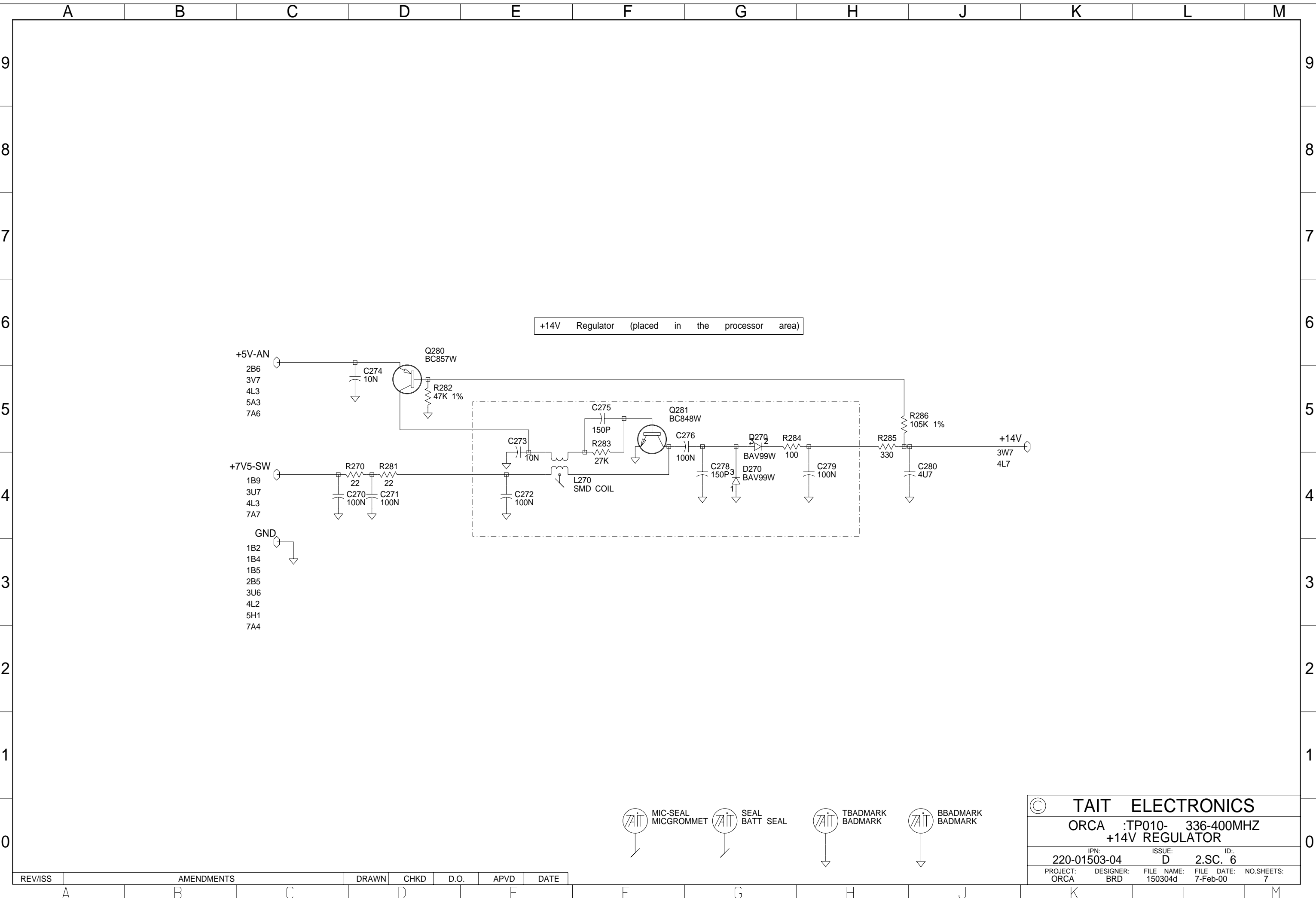
© TAIT ELECTRONICS				
ORCA :TP010- 336-400MHZ SYNTHESISER				
IPN:	ISSUE:	ID:		
220-01503-04	D	2.SC. 4		
PROJECT:	DESIGNER:	FILE NAME:	FILE DATE:	NO.SHEETS:
ORCA	BRD	150304d	7-Feb-00	7

REV/ISS	AMENDMENTS	DRAWN	CHKD	D.O.	APVD	DATE
---------	------------	-------	------	------	------	------



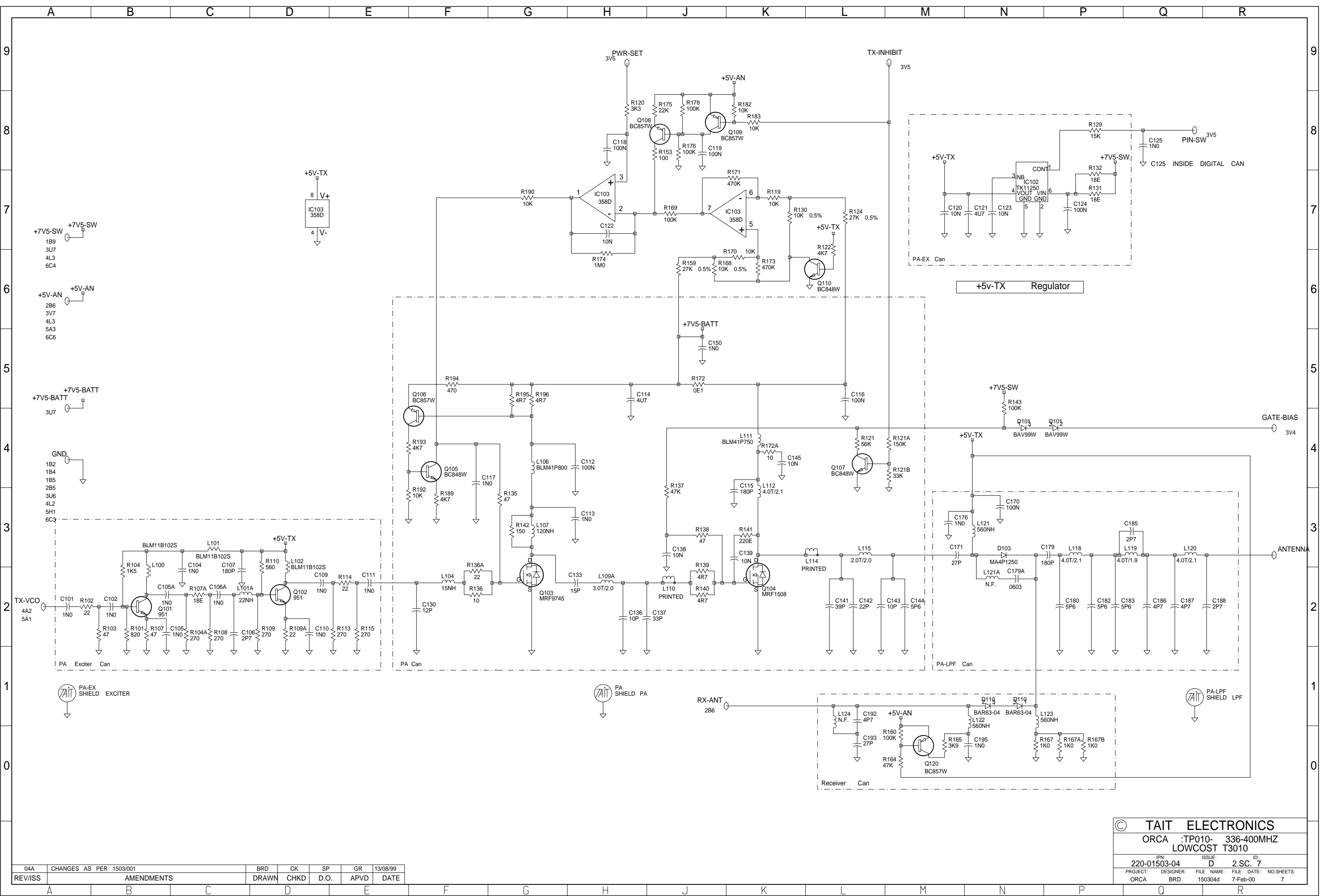
© TAIT ELECTRONICS  
 ORCA :TP010- 336-400MHZ  
 VCO  
 IPN: 220-01503-04 ISSUE: D ID: 2.SC. 5  
 PROJECT: ORCA DESIGNER: BRD FILE NAME: 150304d FILE DATE: 7-Feb-00 NO.SHEETS: 7

REV/ISS	AMENDMENTS	DRAWN	CHKD	D.O.	APVD	DATE



© TAIT ELECTRONICS				
ORCA :TP010- 336-400MHZ +14V REGULATOR				
IPN:	ISSUE:	ID:		
220-01503-04	D	2.SC. 6		
PROJECT:	DESIGNER:	FILE NAME:	FILE DATE:	NO.SHEETS:
ORCA	BRD	150304d	7-Feb-00	7

REV/ISS	AMENDMENTS	DRAWN	CHKD	D.O.	APVD	DATE
---------	------------	-------	------	------	------	------



04A	CHANGES AS PER 1503/001	BRD	CK	SP	GR	13/08/99
REV/ISS	AMENDMENTS	DRAWN	CHKD	D.O.	APVD	DATE

© TAIT ELECTRONICS  
 ORCA :TP010- 336-400MHZ  
 LOWCOST T3010

IPN:	ISSUE:	ID:
220-01503-04	D	2.SC. 7
PROJECT:	DESIGNER:	FILE NAME:
ORCA	BRD	150304d
		FILE DATE:
		7-Feb-00
		NO.SHEETS:
		7